



# Olympus DS-2600

Digital Dictation Recorder

Olympus Australia Pty Ltd  
September 2018

## **Concept**

**“High Quality Performance in an Easy to Use  
Device”**

## **Target user**

**Professionals / Business**

## Design



# Design Features

2 Large Omni-directional Microphones

SD/SDHC Card Slot



3.5mm Earphone Jack

3.5mm Microphone Jack

NEW Button

Durable Optical Slide Switch

Larger 2.4" Screen

Function Buttons

OK/Menu & Navigation Buttons

Improved Built-in Loudspeaker



Power Switch

MicroUSB / Cradle Connections



## Use Scenes

### Corporate



- Legal
- Property



- Financial
- Industry

# Use Scenes

## Healthcare



- Hospital
- Medical Centre



- GP
- Consultant

# Use Scenes

## Government



- Civil Servants
- Local Government

- Government Representatives



## Key Features



## Key Features

1 Large Omni-Directional Microphones

2 Stereo Conference Recording

3 Precise Optical Slide Switch

4 Durable Body with Large Colour Display

# 1. Large Omni-Directional Microphones

## 2 x Large $\phi 8$ Omni-directional Microphones

- Redesigned speech optimised microphones.
- Independently housed for sound reproduction.
- 2-Mic array provides clear voice capture for dictating or conferences recording.



(\*NB; DS-9500 pictured above. Microphone array is the same for DS-2600)

# 1. Large Omni-Directional Microphones

## Recording Mode for Dictation

### Dictation Mode

In this mode, the main microphone will record in an omni-directional mode so that the directionality is suited to recording equally in every direction. The distance from your mouth to the microphone should stay close to the recorder.

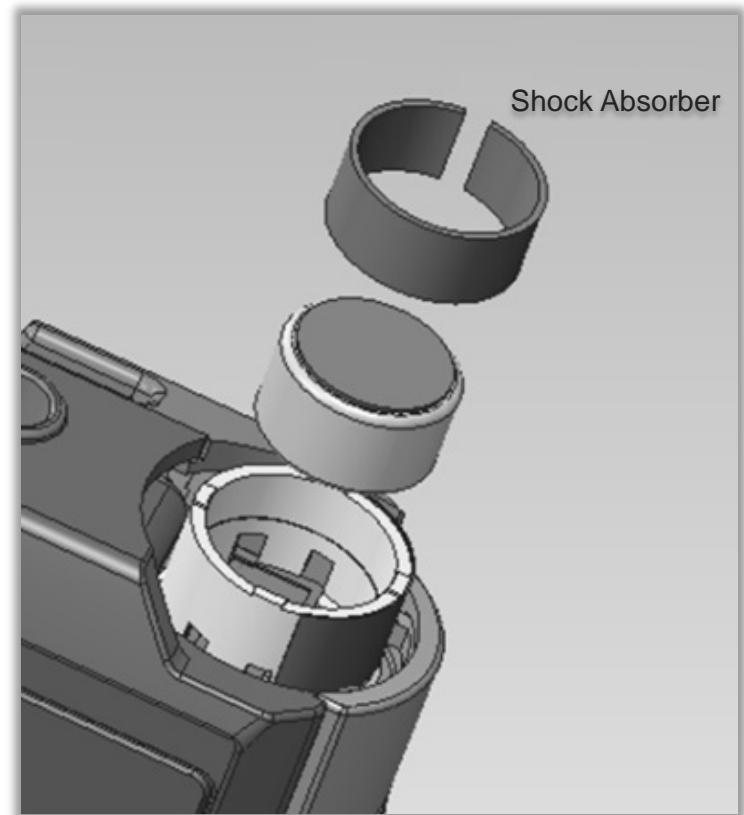


# 1. Large Omni-Directional Microphones

## Microphone unit with Shock Absorber

Same as found in LS-P Series High Resolution Linear PCM Recorders.

The shock absorber covers the microphone unit and reduces touch noise from your hand to the body.

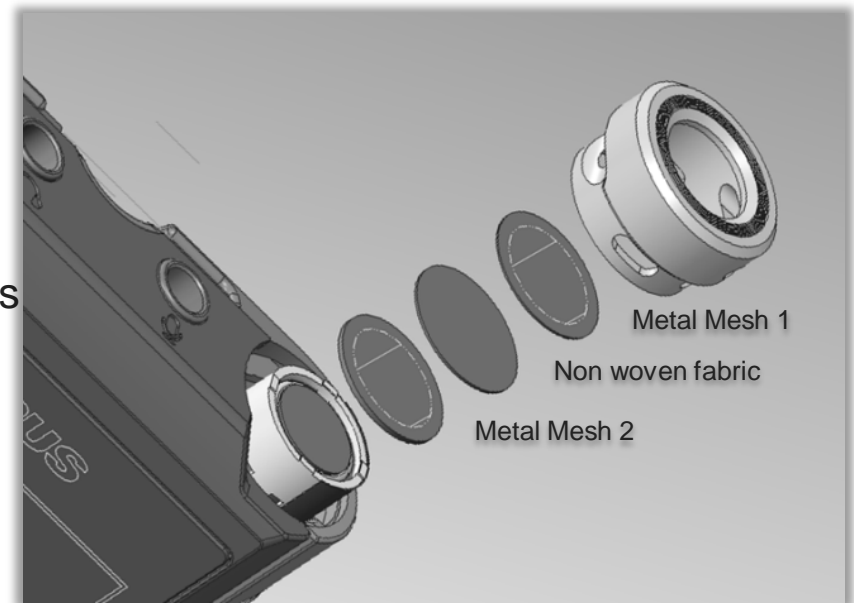


# 1. Large Omni-Directional Microphones

## Studio Grade Pop-Filter

Blocks the wind noise generated from the mouth when talking into the microphones.

This pop-filter has the same construction as filters used in recording studios.



## 2. Stereo Conference Recording

### Recording Mode for Conference Recording

#### Conference Mode

Directionally of the 2 microphones changed to 90° layout. Enables high-quality recording with realistic stereo feeling. No matter where the speaker is, you can clearly capture the information.



## 2. Stereo Conference Recording

### High Quality PCM (WAV) & MP3 Formats Supported

MP3 Formats:

44.1kHz / 128kbps Stereo

44.1kHz / 64kbps Stereo

PCM (WAV) Formats:

22.05kHz / 16bit Stereo

22.05kHz / 16bit Mono

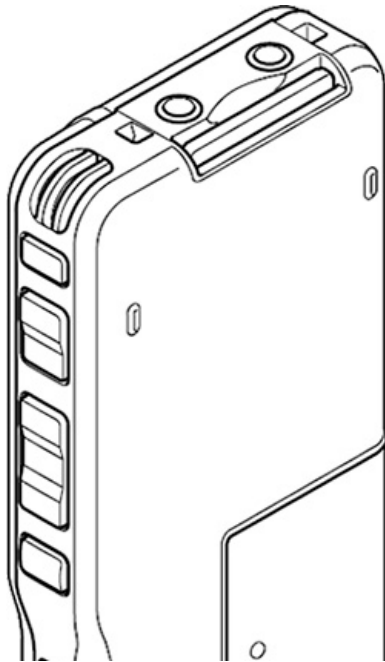
Easily share your meeting and conference recordings with attendees.

\*These formats do not require dedicated Dictation or Transcription software to playback

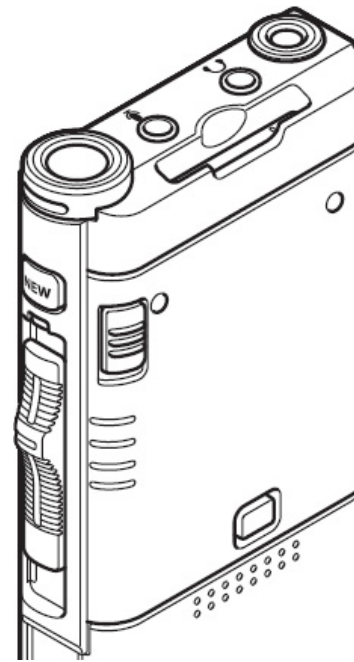


### 3. Precise Optical Slide Switch

#### Precise Optical Slide Switch



**DS-2500**  
Button Control  
Layout



**DS-2600**  
Slide Switch  
Layout



### 3. Precise Optical Slide Switch

#### Precise Optical Slide Switch

Mechanical



Optical



Simplifies the structure and reduces the risk of defect, yet offers the same usability.

## 4. Durable Body with Large Colour Display

### Impact Resistant Body

Shockproof – withstands drops from up to 0.5m.

Structural integrity improves the device lifespan to support day-to-day work for busy professionals.

Same technology as found in Olympus' award-winning Tough Digital Cameras.



## 4. Durable Body with Large Colour Display

Larger 2.4" Colour LCD Screen with Cleaner GUI



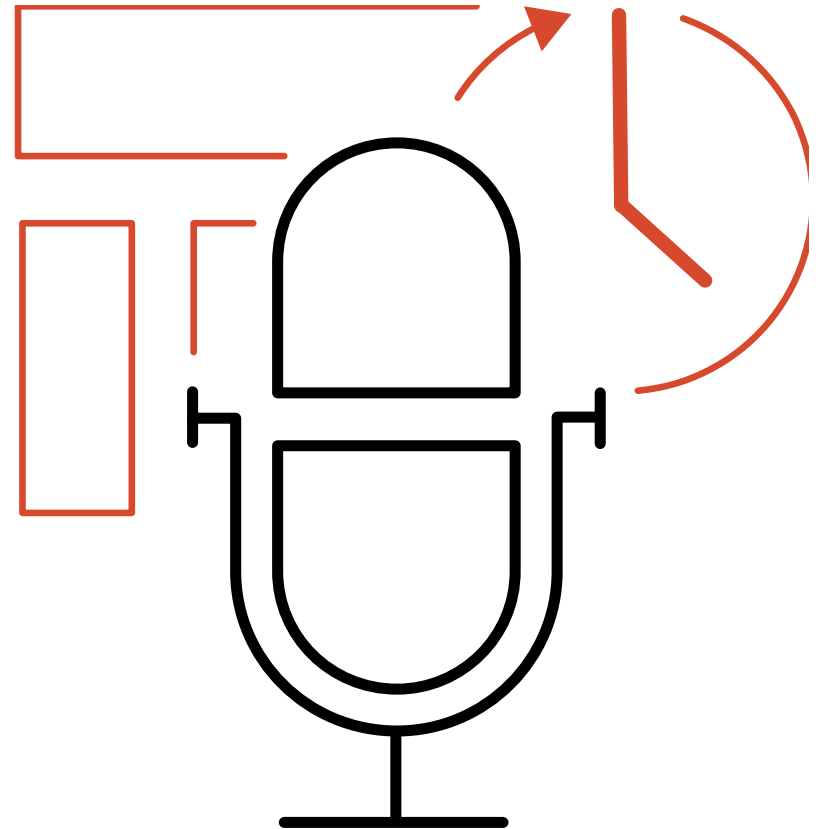
(\*NB; DS-9500 pictured above. Screen dimensions are the same for DS-2600)



## **Additional Features**

## Compatible with Speech Recognition

- Fully compatible with Nuance Dragon® speech recognition software.
- Allows ease of transcription.
- Further decreases transcription time.



## Other Convenient Features

### Motion Sensor

The Built-in Motion/Acceleration Sensor detects the movement of the body and automatically wakes the device from sleep mode.

### Closed Loudspeaker Chassis

Housing with more space behind the speaker to form an enclosure.

Speaker unit has been optimised for better sound wave generation.

Provides enough volume w/ good sound quality.

Smaller opening helps keep the speaker unit free from dust.

### Exchangeable Battery

The bundled Li-92B Li-Ion battery is the same as those used in Olympus' DI Compact cameras. Users can easily swap the battery during long use.





## Specifications & Accessories

# Specifications

Spec	DS-2600
Built-in microphone	2 x <b>8mm Φ</b> Omnidirectional Microphones
Recording formats	DSS Pro (.DS2) / <b>PCM (.WAV)</b> / <b>MP3</b>
Internal memory	2GB (microSD)
External memory	SD/SDHC (Max. 32GB)
Download Method	USB Direct / Cradle (optional)
Main Control	<b>Optical Slide Switch</b> (REC / STOP / PLAY / RWD)
Battery	<b>Li-92B</b> Li-Ion Rechargeable Battery
Battery life (Recording SP)	Approx. 21 hr.
Internal battery charge	✓
Author IDs	✓ 1
Voice Activated Recording (VCVA)	✓
Dictation Editing (Insert/Overwrite/Append)	✓
Bundled accessories	<b>Software License Card</b> / Li-92B Li-Ion Rechargeable Battery x 1 / <b>KP-30 MicroUSB Cable</b> / Instruction Manual / Warranty Information



## Bundled Accessories

### Li-92B Li-ion Rechargeable Battery



### KP-30 MicroUSB Cable



### Software License Card



(DSS Player Standard Release 2  
Dictation Module)

- Or -



(DSS Player for Mac V7)

## Optional Accessories

### **AS-2400 Transcription Kit**

Includes:

- RS-28H Transcription Foot Switch
- E-102 Transcription Headset
- DSS Player Standard Release 2 (Transcription Module) License Card



**OLYMPUS**

---